



产品及应用/products applications

- ◆ 专为抑制直流电源线干扰而设计
- ◆ 低频效果优异、性价比高
- ◆ 适用于通讯设备、基站、直放站、程控交换机、复印设备、光端机、开关电源等直流供电的各种电子设备

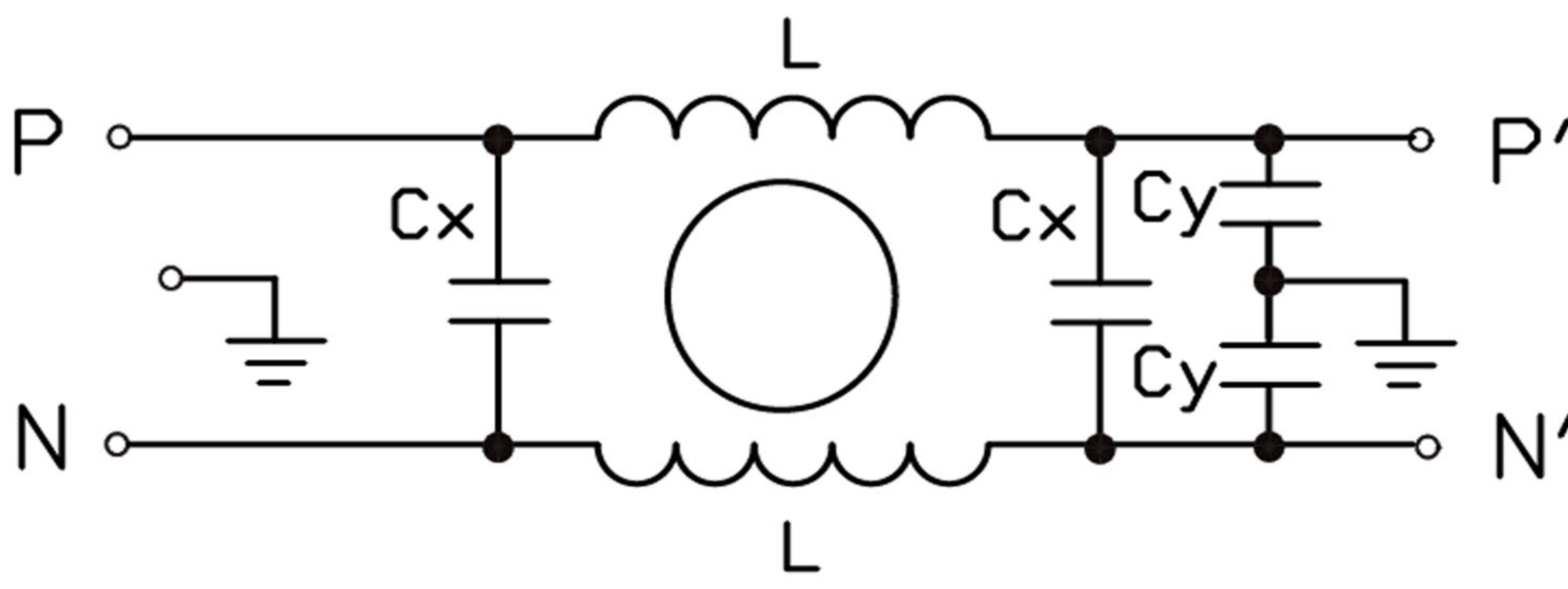


技术参数/Specification

| 最高工作电压 (VDC) | 工作频率 Operating frequency Hz | 试验电压 Hipot test voltage | | 工作温度 Operating temperature | 绝缘电阻 Minimum insulation resistance |
|-----------------|-----------------------------------|----------------------------|-----------|-------------------------------|---------------------------------------|
| | | P-N(VDC) | PN-E(VAC) | | |
| 160 | DC | 500 | 500 | -25~+85°C | >200M @500VDC |

| 产品型号 FILTER | 端接方式 Connections | | 额定电流 Current rating (@40°C) A | 外形尺寸 Housing | 泄漏电流 Leakage current | 电路参数 Components | | | 重量 Weight(g) |
|----------------|---|---|-------------------------------------|-----------------|-------------------------|--------------------|--------|--------|-----------------|
| |  |  | | | | L(mH) | Cx(uF) | Cy(nF) | |
| ME210D-1 | W | --- | 1 | D1 | <0.3mA | 5.5 | 0.1 | 2.2 | 65 |
| ME210D-3 | W | --- | 3 | D1 | <0.3mA | 5.5 | 0.1 | 2.2 | 65 |
| ME210D-6 | W | --- | 6 | D1 | <0.3mA | 0.8 | 0.1 | 2.2 | 65 |
| ME210D-10 | --- | M4 | 10 | B1/B2 | <0.3mA | 1.0 | 0.68 | 2.2 | 130 |
| ME210D-20 | --- | M4 | 20 | B1/B2 | <0.5mA | 0.4 | 0.68 | 2.2 | 130 |
| ME210D-30 | --- | M6 | 30 | H2 | <0.5mA | 0.3 | 1.0 | 4.7 | 230 |
| ME210D-40 | --- | M6 | 40 | H5 | <0.5mA | 0.3 | 1.0 | 4.7 | 230 |
| ME210D-50 | --- | M8 | 50 | E2 | <1.0mA | 0.25 | 3.3 | 4.7 | 550 |
| ME210D-75 | --- | M8 | 75 | G2 | <1.0mA | 0.2 | 3.3 | 10 | 1100 |
| ME210D-100 | --- | M8 | 100 | G2 | <1.0mA | 0.18 | 4.7 | 10 | 1100 |

电路原理图/Circuit Diagram



外型尺寸/Housing and dimensions: (mm)

